



3-WAY STEM VALVES



3-Way Stem Valves

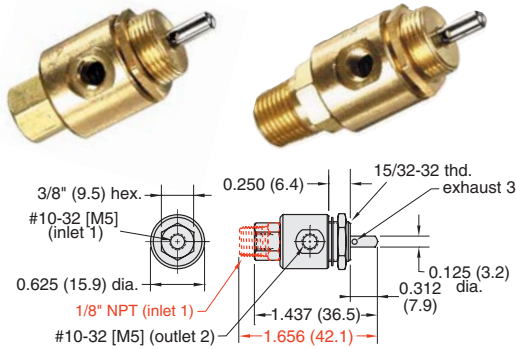
3-way valves are 2-way valves with the added function of exhausting the outlet when the valve is closed. When the stem is depressed, the valve is in the "on" position allowing air to flow from the inlet to the outlet while

blocking the exhaust. Releasing the stem closes the inlet and opens the outlet to an exhaust port which vents the outlet to atmosphere. 3-way stem valves may have a poppet or spool and be Normally-Closed (N.C.) or Normally-Open (N.O.).

Medium: Air **Stem Travel:** 1/8" (3.2)

Materials: Brass body, Buna-N seals, stainless steel stem and spring

Miniature 3-Way Poppet Valves



Input Pressure: 300 psig/21 bar max.

Air Flow: 4.0 scfm @ 50 psig; 6.8 scfm @ 100 psig;
170 l/min @ 6 bar

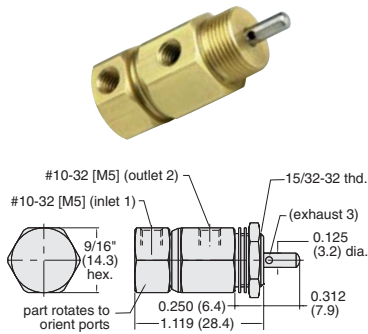
Force For Full Stem Travel: 24 oz. nominal

Mounting: 15/32-32 thread. Nut and lockwasher furnished.



Part No.	Description
<u>MAV-3</u>	Miniature Poppet Valve, #10-32
<u>MAV-3-M5</u>	Miniature Poppet Valve, M5
<u>MAV-3P</u>	Miniature Poppet Valve, 1/8" NPT

N.C. Poppet Valves with Rotatable Inlet



Input Pressure: 300 psig/21 bar max.

Air Flow: 4.0 scfm @ 50 psig; 6.8 scfm @ 100 psig;
170 l/min @ 6 bar

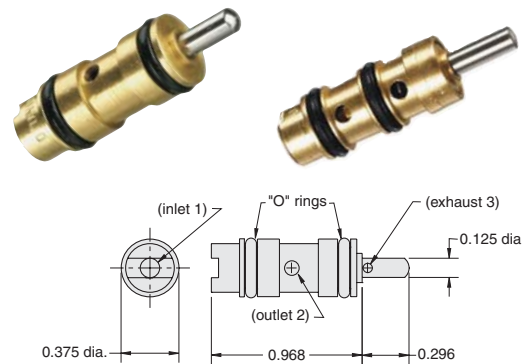
Force For Full Stem Travel: 24 oz. nominal

Mounting: 15/32-32 thread. Nut and lockwasher furnished.



Part No.	Description
<u>MAV-3R</u>	Normally-Closed Valve with Rotatable Inlet, #10-32
<u>MAV-3R-M5</u>	Normally-Closed Valve with Rotatable Inlet, M5

Miniature Cartridge Valves



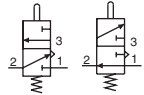
Input Pressure: 300 psig

Air Flow: 3.0 scfm @ 50 psig; 6.0 scfm @ 100 psig

Force For Full Stem Travel: 24 oz. nominal

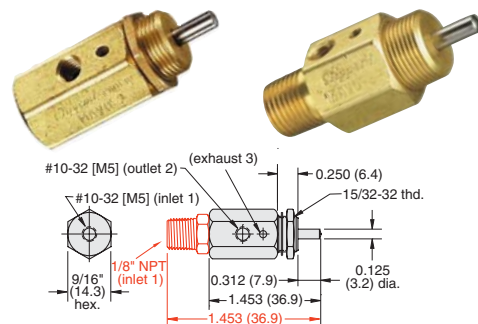
Mounting: Inserts into a 3/8" bore (0.375" 0.001")

Note: See page 118 for mounting details



Part No.	Description
<u>MAV-3C</u>	Normally-Closed Poppet Cartridge Valve
<u>MAVO-3C</u>	Normally-Open Spool Cartridge Valve

Normally-Open Spool Valves



Input Pressure: 150 psig/10 bar max.

Air Flow: 6.0 scfm @ 50 psig; 10 scfm @ 100 psig;
245 l/min @ 6 bar

Force For Full Stem Travel: 32 oz. nominal

Mounting: 15/32-32 thread. Nut and lockwasher furnished.



Part No.	Description
<u>MAVO-3</u>	Normally-Open Spool Valve, #10-32
<u>MAVO-3-M5</u>	Normally-Open Spool Valve, M5
<u>MAVO-3P</u>	Normally-Open Spool Valve, 1/8" NPT